

PRODUCT CODE:-

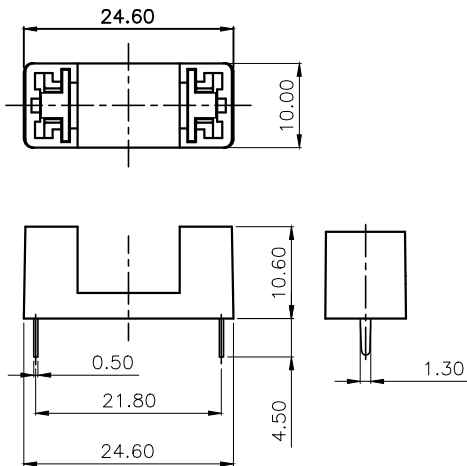
PBF-4 SERIES

CATEGORY:-

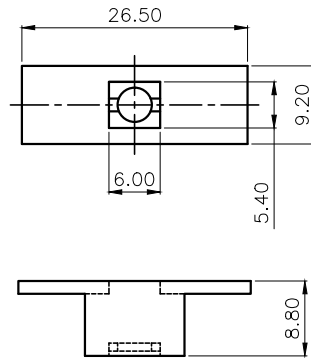
PCB MOUNTING FUSE HOLDER

BASIC DIMENSIONS:-

PBF-4-X

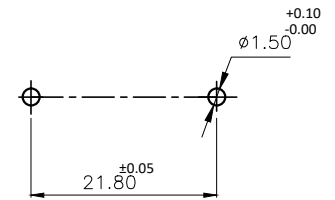


PBF-4-X CAP



MOUNTING DETAILS

PBF-4-X



ORDERING CODE:-

SR. NO.	TYPE	CODE
1.	Fuse holder with Cap	PBF-4
2	Fuse holder without cap	PBF-4-1

SPECIFICATION TABLE:-

SR.NO	PARAMETER		SPECIFICATION
1	Type		PCB mounting fuse holder
2	Fuse Link Size		$\phi 5.0 \times 20.00$
3	V/A Rating		6.30A 250V AC
4	Contact Resistance (Initial)		10m Ohms Max.
5	Insulation Resistance at 500V DC		1000M Ohms Min.
6	H.V.Break Down Test (1-Minute)		2KV AC
7	Mounting		PCB-type
8	Terminals		Solder-type
9	Permissible Temp.	(a) With/Without Load	-20°C TO +85°C
		(b) For Soldering	270° for 5 Sec. Max.
10	Material	(a) Body	Nylon GF
		(b) Terminals	Brass, Tin Plated
11	Reference Standard		IEC-60127-6
12	Compliance marking		(On Request)

						APP	28.01.15	GJG	 Plot E-4, Kagal Five Star MIDC, Kagal, Kolhapur, MH - 416236, India Elcom International Pvt. Ltd. www.elcom-in.com
						CHK	28.01.15	PGP	
						DRN	28.01.15	PPD	
REV	IS	WAS	DATE	SIGN	APP.	BY	DATE	SIGN	
UNSP.TOLERANCE			DIMNS. IN	WT(Gm)	SCALE:-	PROJECTION	SHEET	DRAWING NUMBER	
OVER	-	1	10	mm	Max.	NTS.	1 OF 1	P P B F 2 0 0 1	
UP TO	1	10	-	Moulding, plating details as per Bill of Material				REVISION	
±	0.2	0.3	0.5	Unspecified colour is Black, GF:Glass filled.				0	

F:ENG-08.00

Note: Technical specifications are subject to change without prior notice

Copyright © 2019 by Elcom International Pvt.Ltd, India. All rights reserved